

DigiSAFE M3020/M3030

- Supports full duplex synchronous application
- Provides Point-to-point security
- Provides battery backup of system Variables
- Provides configuration data stored in non-volatile memory



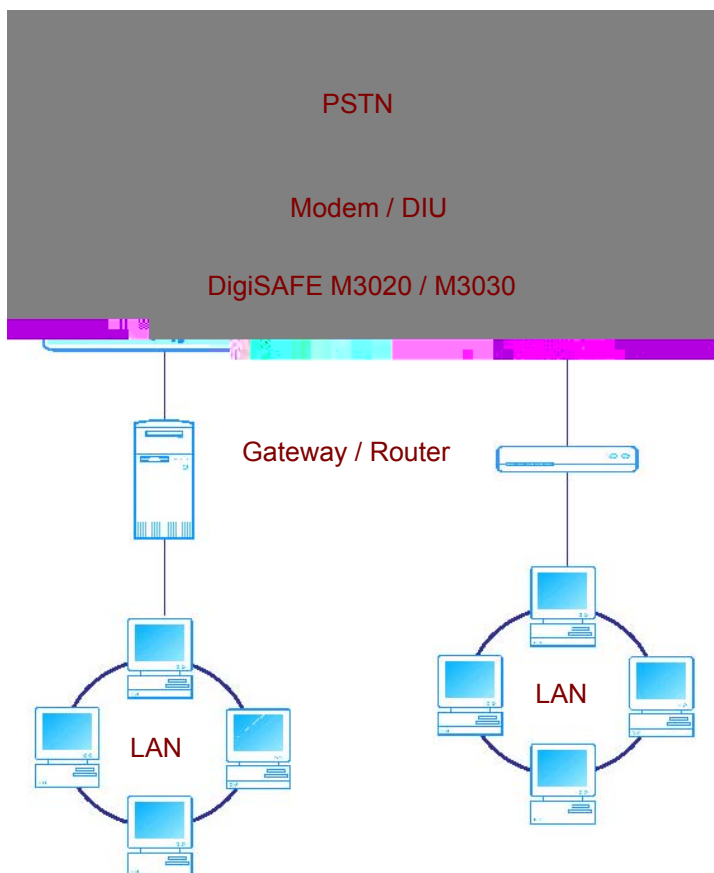
DigiSAFE Data Link Encryptor performs encryption of data information transmission over data link at a speed of nX64Kbps to 2048Kbps. It supports synchronous full duplex point-to-point data communications with unique synchronization scheme used for encryption. The Data Link Encryptors operate in pairs.

DigiSAFE M3020 / M3030 does not need operator intervention during normal operation as it is fully capable of automatic startup and resynchronisation after power failure. Hence, the operation mode is completely transparent to end-users.

The use of Smart Card

The authentication is verified by using two sets of keys for the user namely supervisor and key card. The red supervisor card is to initialize the configuration before the black key card can be loaded. Session key change may be automatic or operator initiated.

An Electronic Key Generation System (EKGS) is used for the generation of keys for use in the Link Encryptor. The EKGS is a standalone unit and loads configuration and key variable to smart cards.



Specifications

General

- Protocol transparent: Full Duplex Operation
- Point-to-Point Applications
- Synchronous Operation:
 - M3020 : nx64Kbps - 256Kbps
 - M3030 : nx64Kbps – 2048Kbps
- DTE/DCE clock selectable
- Front Panel Menu-driven Setup with Backlit LCD
- Battery Backup of System Variables

Interface

- M3020 - V.35
- M3030 – V.35/G.703

Key Management

- Symmetric Private Key
- Key Management using Smart Card
- Transparent and automatic session key generation with onboard physical noise source

Cryptography

- Full Key Diversity
- DES or
- SAFER-SK128 or
- Triple-DES
 - 168-bit for M3020
 - 112-bit for M3030

Diagnostics

- Automatic Power-up self-tests
- Local loop back tests
- Online encryption fault detection
- Alarm log messages stored in memory with date and time
- LED indicators for link status monitoring

Operating Environment

- Operating temperature: 0°C to +50°C
- Relative Humidity: 0 – 90%
- Meets FCC part 15, subpart J (Class B) EMI/RFI requirements

Security

- Tamper resistance chassis design
- Pick-resistant lock

Security Management

- Electronic via EKGS

Electrical & Mechanical

- Mains: 110/230 VAC 50/60 Hz, Conforms to IEC 65
- Dimension 420W x 44.5H x 270Dmm
- Weight: <5.5Kg

© 2001 All rights reserved. All DigiSAFE trademarks are property of DigiSAFE Pte Ltd. Specifications are subject to change without notice.

DigiSAFE Pte Ltd
100 Jurong East Street 21
Singapore 609602
Tel: +65-568 7118
Fax: +65-568 7226
Email: info@digisafe.com
URL: www.digisafe.com

DIGISAFE
SECURING THE E-ECONOMY